

AXIS P33 Network Camera Series

Fixed domes for any environment with remote focus and zoom.



- > Lightfinder technology
- > P-Iris control
- > Multiple H.264 video streams
- > Remote focus and zoom
- > Outdoor-ready models

AXIS P33 Network Cameras constitute a series of indoor and outdoor-ready fixed domes. These cameras are ideal for unobtrusive video surveillance, day and night, in exposed areas such as airports, subways, retail stores, schools and university campuses.

AXIS P33 Series offers models with SVGA resolution up to 5 megapixel, including support for SMPTE standard-compliant HDTV 720p and 1080p video. This document covers the new SVGA and HDTV 720p models that are added to AXIS P33 Series.

All these new SVGA and HDTV 720p models, based on the best optical components, offer exceptional image quality and support Axis' Lightfinder technology, which make the cameras extremely sensitive to low light, effectively allowing the cameras to 'see' colors even in poor lighting conditions. All models also support the revolutionary P-Iris control, which allows the cameras to precisely control the iris position to optimize depth of field and lens resolution for optimal image clarity.

The remote focus capability allows for convenient installation, eliminating hands-on focusing at the camera. The remote zoom and pixel counter features ensure that the camera's angle of view is optimized for the area to be monitored and the required pixel resolution.

AXIS P33 Series provides multiple, individually configurable H.264 and Motion JPEG video streams.

Powered by standard Power over Ethernet (IEEE 802.3af), the AXIS P33-VE cameras have low, environment-friendly power consumption. The weatherproof cameras operate in extreme temperatures from -40 °C to 55 °C (-40 °F to 131 °F).



Fixed domes designed for efficient installation

AXIS P33 Series is the perfect choice for a wide range of demanding video applications in outdoor and indoor environments. AXIS P33 Network Cameras are designed for professional video surveillance with easy and reliable installation in focus.

Outdoor-ready installation for extreme temperatures

The outdoor models of AXIS P33 Series are specially designed for reliable, vandal-resistant and weather-proof installation, with pre-installed heater and fan, and an integrated dehumidifying membrane eliminating any humidity caught in the camera casing during installation. These cameras come with a 5 m (16 ft.)

Ethernet cable with a pre-mounted, specially designed gasket, enabling flush wall mounting and requiring no additional sealant. A weather shield is also included for effective protection against reflections from sunlight, or build-ups of rain or snow.

Lightfinder technology

The SVGA and HDTV 720p models of AXIS P33 Series incorporate Axis' ground-breaking Lightfinder technology. The outstanding light sensitivity, with maintained colors even in very poor lighting conditions, is obtained by a combination of Axis' expertise in image processing, system-on-chip development and selection of the best optical components.

For more on Lightfinder technology, go to:
www.axis.com/corporate/corp/tech_papers.htm

P-Iris control

The new SVGA and 1MP/HDTV 720p models feature the advanced precise iris control. It comprises a special P-Iris lens together with specialized software in the camera to set the best iris position for optimal image contrast, clarity, resolution, and depth of field. Having good depth of field, where objects at different distances from the camera are in focus simultaneously, allows more of a scene to be clearly visible.

For more on P-Iris and iris controls, go to:
www.axis.com/corporate/corp/tech_papers.htm

Easy installation with remote focus and zoom

AXIS P33 Network Cameras offer unique installation capabilities with remote focus and zoom. The remote focus feature enables convenient focusing over the network, eliminating the need for hands-on fine-tuning at the camera. The remote zoom functionality ensures that the camera's angle of view is optimized for the area to be monitored.

Unique pixel counter feature

The unique pixel counter offered in Axis cameras allows the installer to easily verify that the camera installation fulfills any regulatory or specific customer requirements, for example, calculating the pixel resolution of the face of a person passing a doorway monitored by the camera.



Mounting options

AXIS P33 Series offers a wide range of optional kits for indoor and outdoor installations, for example, for mounting on a wall, pole or corner. The IP51-rated drop ceiling mount kit protects the camera from condensation and dust that may exist in the plenum space above the drop ceiling. They include a smoked transparent cover as an alternative to the clear cover, for additional flexibility.



Model specifications – AXIS P33 Series, new SVGA and HDTV 720p models

Model type	SVGA resolution	1 MP / HDTV 720p resolution
Tamper-resistant, indoor	AXIS P3353 6 mm AXIS P3353 12 mm	AXIS P3354 6 mm AXIS P3354 12 mm
Vandal-resistant, indoor, audio and I/O ports	AXIS P3363-V 6 mm AXIS P3363-V 12 mm	AXIS P3364-V 6 mm AXIS P3364-V 12 mm
Vandal-resistant, outdoor, audio, I/O ports	AXIS P3363-VE 6 mm AXIS P3363-VE 12 mm	AXIS P3364-VE 6 mm AXIS P3364-VE 12 mm

Note: The new SVGA and HDTV 720p models are included in the AXIS P33 Series. Please find information of the other AXIS P33 camera models in a separate datasheet. Please also note that AXIS P3301/-V and AXIS P3304/-V are not part of AXIS P33 Series.

Technical specifications – AXIS P33 Series, new SVGA and HDTV 720p models

Camera		System integration	
Image sensor	AXIS P3353, AXIS P3363-V/-VE: Progressive scan RGB CMOS 1/3" AXIS P3354, AXIS P3364-V/-VE: Progressive scan RGB CMOS 1/3"	Application Programming Interface	Open API for software integration, including the ONVIF specification available at www.onvif.org , as well as VAPIX® and AXIS Camera Application Platform from Axis Communications, specifications available at www.axis.com Support for AXIS Video Hosting System (AVHS) with One-Click Camera connection
Lens	Varifocal, remote focus and zoom, IR corrected, P-Iris control, megapixel resolution 6 mm models: 2.5-6 mm, 105° - 49° view*, F1.2 12 mm models: 3.3-12 mm, 82° - 24° view*, F1.4 *horizontal angle of view	Intelligent video	Video motion detection, active tampering alarm Support for AXIS Camera Application Platform enabling installation of additional applications AXIS P3363-V/-VE, AXIS P3364-V/-VE: Audio detection
Day and night	Automatically removable infrared-cut filter	Event triggers	Intelligent video, edge storage events AXIS P3363-V/-VE, AXIS P3364-V/-VE: External input
Minimum illumination	6mm models: Color: 0.1 lux, F1.2, B/W: 0.02 lux, F1.2 12mm models: Color: 0.15 lux, F1.4, B/W: 0.03 lux, F1.4	Event actions	File upload via FTP, HTTP and email, notification via email, HTTP and TCP, pre- and post-alarm video buffering, video recording to edge storage, PTZ preset, guard tour AXIS P3363-V/-VE, AXIS P3364-V/-VE: External output activation, audio recording to edge storage, play audio clip
Shutter time	1/24500 s to 2 s with power line frequency 50 Hz 1/29500 s to 2 s with power line frequency 60 Hz	Data streaming	Event data
Camera angle adjustment	Pan 360°, tilt 170°, rotation 340°	Installation aids in software	Remote zoom, remote focus, pixel counter
Video		General	
Video compression	H.264 Baseline and Main Profile (MPEG-4 Part 10/AVC) Motion JPEG	Casing	Polycarbonate transparent cover Aluminum inner camera module with encapsulated electronics Color: White NCS S 1002-B AXIS P3353/P3354: Tamper-resistant polycarbonate casing AXIS P3363-V/P3364-V: IK10 impact-resistant aluminum casing AXIS P3363-VE/P3364-VE: IP66- and NEMA 4X-rated, IK10 impact-resistant aluminum casing with integrated dehumidifying membrane
Resolutions	AXIS P3353, AXIS P3363-V/-VE: 800x600 (SVGA) to 160x90 AXIS P3354, AXIS P3364-V/-VE: 1280x960* (approx. 1.3 MP) to 160x90 *1400x1050 (1.4 MP) scaled resolution available via VAPIX®	Processor and memory	ARTPEC-4, 256 MB RAM, 128 MB Flash
Frame rate H.264	25 fps with power line frequency 50 Hz 30 fps with power line frequency 60 Hz	Power	Power over Ethernet IEEE 802.3af AXIS P3353/P3354/P3363-V/P3364-V: Class 2; max 5.9 W AXIS P3363-VE/P3364-VE: Class 3; max 12.1 W
Frame rate Motion JPEG	25 fps with power line frequency 50 Hz 30 fps with power line frequency 60 Hz	Connectors	RJ-45 10BASE-T/100BASE-TX PoE AXIS P3363-V/-VE, AXIS P3364-V/-VE: Terminal block for 1 alarm input and 1 output, 3.5 mic/line in, 3.5 mm line out
Video streaming	Multiple, individually configurable streams in H.264 and Motion JPEG Controllable frame rate and bandwidth VBR/CBR H.264	Edge storage	SD/SDHC memory card slot (card not included) Support for recording to network share (Network Attached Storage or file server)
Pan/Tilt/Zoom	Digital PTZ, preset positions, guard tour	Operating conditions	AXIS P3353/P3354: 0 °C to 50 °C (32 °F to 122 °F) Humidity 10 - 85% RH (non-condensing) AXIS P3363-V/P3364-V: 0 °C to 50 °C (32 °F to 122 °F) Humidity 10 - 85% RH (non-condensing) AXIS P3363-VE/P3364-VE: -40 °C to 55 °C (-40 °F to 131 °F) Humidity 10 - 100% RH (condensing)
Image settings	Compression, color, brightness, sharpness, contrast, white balance, exposure control, exposure zones, backlight compensation, wide dynamic range - dynamic contrast, fine tuning of low light behavior Rotation: 0°, 90°, 180°, 270°, including Corridor Format Text and image overlay, privacy mask, mirroring of images	Approvals	EN 55022:2006+A1 Class B, EN 61000-3-2, EN 61000-3-3, EN 55024, EN 61000-6-1, EN 61000-6-2, FCC Part 15 Subpart B Class B, IEC/EN 60950-1, VCCI-2008 Class B ITE C-tick AS/NZS CISPR 22, ICES-003 Class B digital, IEC 60068-2-1, IEC 60068-2-2, IEC 60068-2-14, IEC 60068-2-27, IEC 60068-2-64, IEC 60068-2-78 AXIS P3363-V/-VE, AXIS P3364-V/-VE: IEC 62262 IK10 AXIS P3363-VE/P3364-VE: IEC/EN 60950-22, IEC 60068-2-30, IEC 60529 IP66, NEMA 250 Type 4X, EN 50121-4, IEC 62236-4
Audio (AXIS P3363-V/-VE and AXIS P3364-V/-VE)		Included accessories	Installation Guide, CD with installation tools, recording software and User Manual, Windows decoder 1-user license, smoked transparent cover AXIS P3363-V/-VE, AXIS P3364-V/-VE: Connector kit AXIS P3363-VE/P3364-VE: Mounting bracket, 5 m (16 ft.) network cable with pre-mounted gasket, weather shield
Audio streaming	Two-way		
Audio compression	AAC LC 8/16 kHz, G.711 PCM 8 kHz, G.726 ADPCM 8 kHz Configurable bit rate		
Audio input/output	External microphone input or line input, line output AXIS P3363-V, AXIS P3364-V: Built-in microphone (can be disabled)		
Network			
Security	Password protection, IP address filtering, digest authentication, user access log, IEEE 802.1X** network access control, HTTPS** encryption		
Supported protocols	IPv4/v6, HTTP, HTTPS**, QoS Layer 3 DiffServ, FTP, SMTP, Bonjour, UPnP, SNMPv1/v2c/v3(MIB-II), DNS, DynDNS, NTP, RTSP, RTP, TCP, UDP, IGMP, RTCP, ICMP, DHCP, ARP, SOCKS		


** This product includes software developed by the OpenSSL Project for use in the OpenSSL Toolkit. (www.openssl.org)

More information is available at www.axis.com

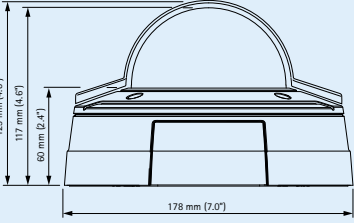
Dimensions and weight - AXIS P33 Series, new SVGA and HDTV 720p models



AXIS P3353 and AXIS P3354
Weight: 430 g (0.9 lb.)
AXIS P3363-V and AXIS P3364-V
Weight: 650 g (1.4 lb.)

AXIS P3363-VE and AXIS P3364-VE
Weight: 1.5 kg (3.3 lb.)



Accessories - AXIS P33 Series, new SVGA and HDTV 720p models

Optional accessories for outdoor models

Pendant adapter kit including weather shield



AXIS T91A Brackets



Wall



Corner

I/O audio cable, 5 m (16 ft.)



Axis illuminators



Cable shield including AXIS P33-VE 3/4" NPS adapter



Optional accessories for indoor models

IP51-rated drop-ceiling mount kit with transparent or smoked cover




Mounting bracket




Pendant adapter kit



AXIS T91A Brackets





For information on AXIS Camera Station and video management software from Axis' Application Development Partners, see www.axis.com/products/video/software/